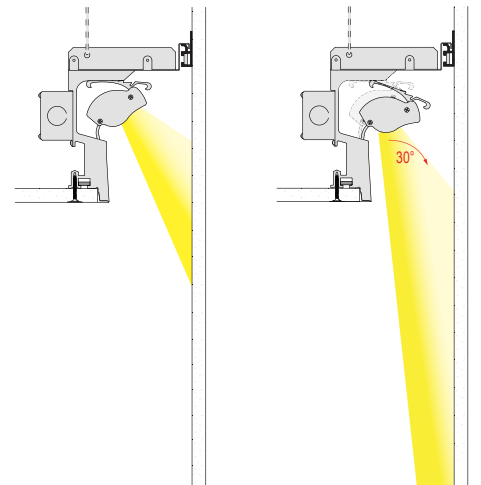


## iLas

Integrated Asymmetric LED Luminaire  
for iLas Pocket System

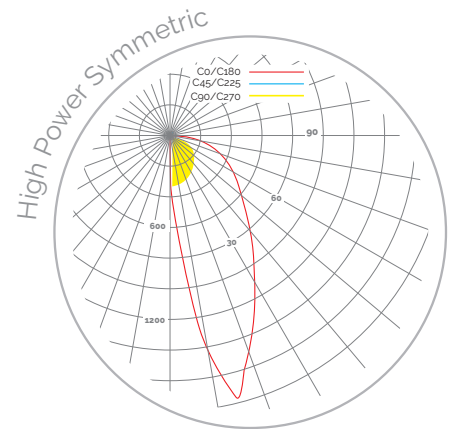


High performance asymmetric luminaire provides field indexing up to 30° to direct peak candela for wall washing or grazing



### FEATURES

- High performance perimeter lighting system with adjustable LED luminaire
- Luminaire can be adjusted 30° to wash or graze peak candela down wall
- Evenly illuminates top to bottom wall brightness
- High power provides 593 lm/W @ 10.5W/ft
- Standard power provides 429 lm/W @ 7.6W/ft
- 56.5 lm/W efficacy
- Proprietary injection molded optics with true asymmetric distribution



iLas

# ORDERING

iLas					
PRODUCT	POWER	LENGTH	LED COLOR	CONTROL	OPTION
<b>LED</b> Asymmetric LED Luminaire for iLas Pocket System	<b>07</b> 7.6 watts / linear ft	<b>22</b> 22 <sup>7</sup> / <sub>8</sub> " actual  <b>34</b> 34 <sup>1</sup> / <sub>8</sub> " actual	<b>W3</b> 3000K  <b>W27</b> 2700K	<b>N</b> Non-Dim  <b>D</b> 1%, 0-10V Dim	<b>WL</b> White 45° Louver
	<b>10</b> 10.5 watts / linear ft <sup>1</sup>	<b>45</b> 45 <sup>3</sup> / <sub>4</sub> " actual  <b>67</b> 67 <sup>3</sup> / <sub>4</sub> " actual  <b>90</b> 90 <sup>1</sup> / <sub>8</sub> " actual <sup>1</sup>	<b>W35</b> 3500K  <b>W4</b> 4000K	<b>S</b> Lutron ECO 1% Soft On Fade To Black PEQ1  <b>L</b> Lutron Hi-Lume 1% EcoSystem Digital L3DAE  <b>F</b> Lutron Hi-Lume 1% 3-Wire L3DA3W  <b>T</b> Lutron Hi-Lume 1% 120V 2-Wire LTEA2W	
<sup>1</sup> High Power driven at 9.8 watts / linear foot for Lutron drivers		<sup>1</sup> 90 only available in 7.6 watt			

## CONSTRUCTION

- Extruded aluminum luminaire body with adjustment control
- Standard and optional emergency drivers mounted on framing wireway covers ship with luminaires. Install with quick connect wiring and quarter turn fasteners

## PERFORMANCE

- Average rated LED life of 50,000 hours @ 70% lumen output
- High power provides 593 lm/W @ 10.5W/ft
- Standard power provides 42 lm/W @ 7.6W/ft
- 56.5 lm/W efficacy

## ELECTRICAL

- Dimmable, Hi-flux LEDs with minimal pitch for clean visual appearance
- Power consumption 7.6W / linear foot standard, 10.5W / linear foot high power
- Line voltage luminaire powered with 120-277V AC
- High Power is run at 9.8W per foot when using Lutron drivers

## LENGTHS AND MOUNTING

- Low profile linear LED with lengths ranging from 22<sup>7</sup>/<sub>8</sub>" to 90<sup>1</sup>/<sub>8</sub>"
- Continuous runs mounted end to end for seamless installation

## LEDS

- Dimmable, high flux LEDs available in 2700K, 3000K, 3500K, 4000K
- Proprietary LED light engine with minimal pitch and seamless light output in linear applications.
- CRI 85+, 3-step MacAdam Ellipse

## FINISHES

- Anodized aluminum finish standard
- Custom finishes available. Consult factory

## COMPLIANCE

- ETL listed for dry locations
- IP 50 Rated
- CSA Compliant

## OPTIONS

- Choice of white, silver or black 45° Louver
- Emergency circuit wiring available. Consult factory

## WARRANTY

- 3-year limited warranty.
- Complete warranty terms available at [ElectrixIllumination.com](http://ElectrixIllumination.com)